

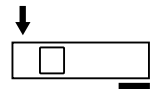


#### Feature

- Low Cost
- Compact Design
- Compression Type
- Protection Class IP66
- Nickel Plated Steel
- Braided Shield 4-Wire Round Cable

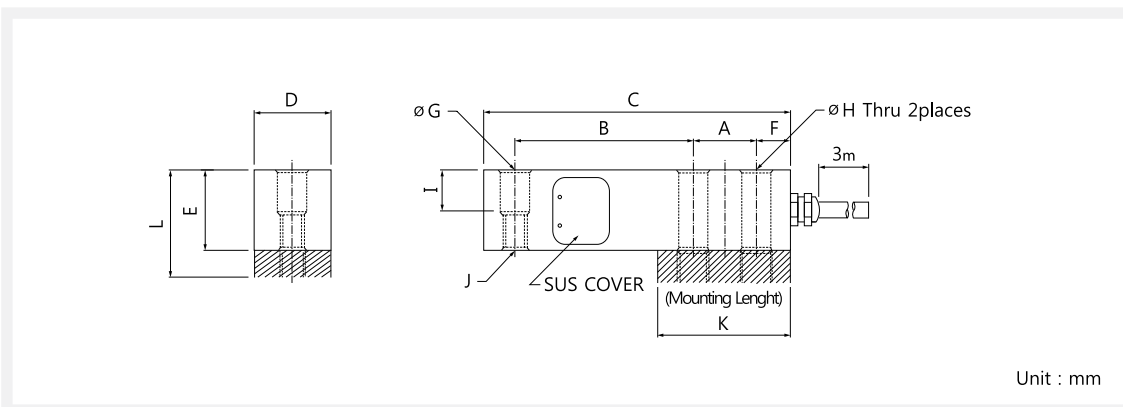
#### Option

- Stainless Steel - LB210 (MOQ Base)



Rated Capacity (R.C)	kgf / tf	150, 200, 250, 300, 500kgf, 1, 2, 3, 5, 10tf
Rated Output (R.O)	mV/V	2.0 ± 0.005
Zero Balance	mV/V	0 ± 0.02
Combined Error	%	0.03
Repeatability	%	0.01
Creep (30min)	%	0.03
Temperature Effect on		
Zero Value	% / 10°C	0.03
Output Value	% / 10°C	0.02
Excitation		
Recommended	V	10
Maximum	V	15
Resistance		
Input	Ω	400 ± 30
Output	Ω	350 ± 3.5
Insulation	MΩ	> 2,000
Compensated Temp Range	°C	-10 ~ +40
Operating Temp Range	°C	-30 ~ +80

Model	Capacity	A	B	C	D	E	F	ØG	ØH	I	J	K	L	Weight
SB210 - 150kgf	150kgf	25.4	76.2	130	31.8	32	15.8	13.5	13.5	16	M12xP1.75	57	58	1.0kg
SB210 - 200kgf	200kgf													
SB210 - 250kgf	250kgf													
SB210 - 300kgf	300kgf													
SB210 - 500kgf	500kgf													
SB210 - 1tf	1tf	38.1	95.3	171.5	38	38	19	20	20	19	M18xP1.5	76	44.5	2.0kg
SB210 - 2tf	2tf													
SB210 - 3tf	3tf													
SB210 - 5tf	5tf													
SB210 - 10tf	10tf													
		50.8	120.4	222	50.8	50.8	25.4	26.2	26.2	25.4	M24xP2.0	100	57.2	4.3kg



CABLE	COLOR CODE
EXC +	(RED)
EXC +	(WHITE)
SIG +	(GREEN)
SIG +	(BLUE, BLACK)
SHLD	(YELLOW)